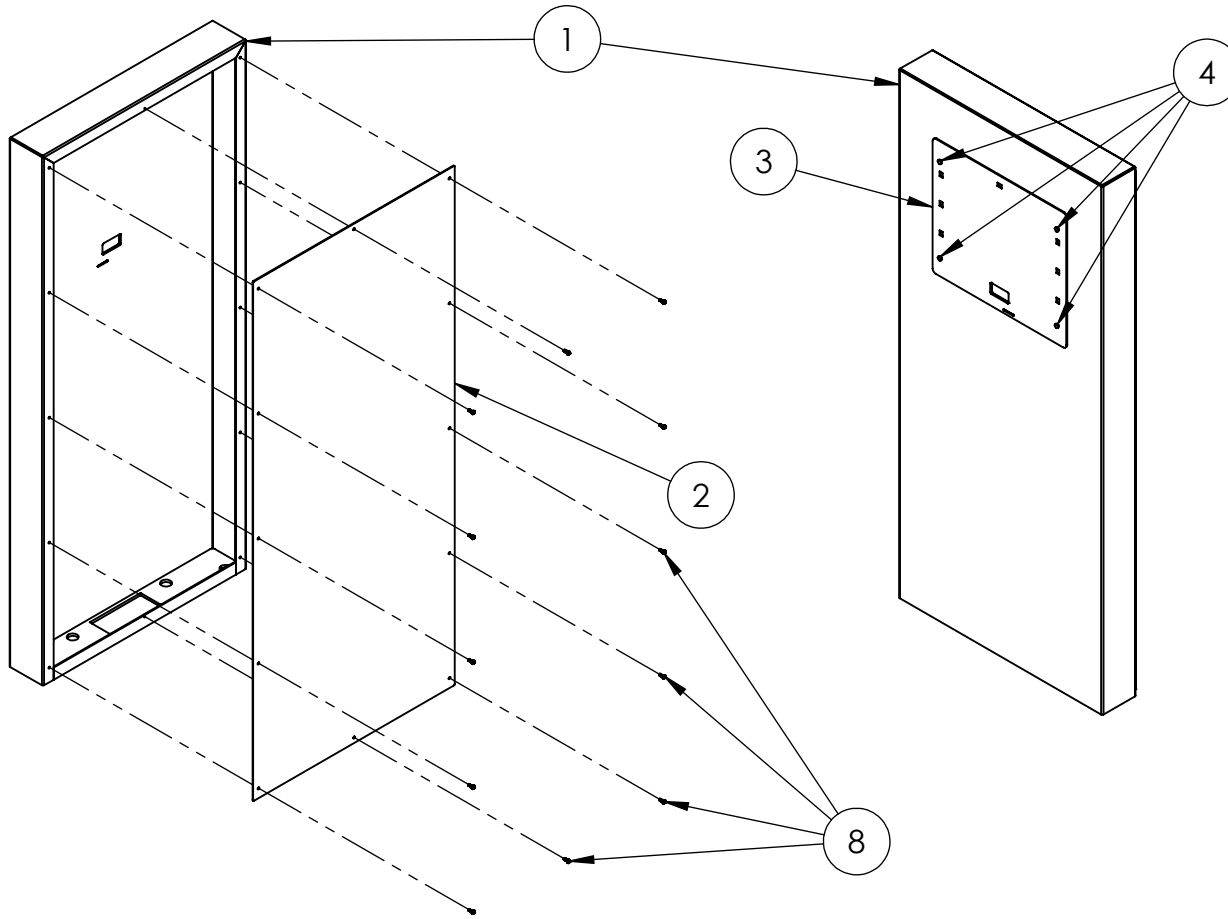


NOTES:

1. MATERIAL OF CONSTRUCTION IS 304 SS BRUSHED TO A #4 FINISH.
2. MOUNTS A BUTTERFLY MX 21" UNIT.

UNLESS OTHERWISE SPECIFIED: DIMENSIONS ARE IN INCHES TOLERANCES: FRACTIONAL ± 1/32 ANGULAR: ± 2° TWO PLACE DECIMAL ± 0.010 THREE PLACE DECIMAL ± 0.005 INTERPRET GEOMETRIC TOLERANCING PER: ASME Y14.5 -2009	DRAWN	NAME	DATE	TITLE:	SIZE	PART NO.	REV
	CHECKED			INSTALLATION			
	WEIGHT:			NO SCALE	SHEET 1 OF 9		

ITEM NO.	PART NUMBER	DESCRIPTION	QTY.
1	MX-SS-21S MAIN BODY	304SS TOWER WELDMENT	1
2	MX-SS-21S ACCESS DOOR	304SS ACCESS DOOR	1
3	ADAPTER PLATE	BUTTERFLY MOUNTING PLATE	1
4	10mm KEYHOLE STUD	304 STAINLESS STEEL	4
8	91772A194	8-32 SS BUTTON HEAD SCREW	12



NOTES:

1. BRUSHED #4 FINISH.
2. MOUNTS A BUTTERFLY MX 21 INCH SURFACE MOUNT UNIT.

UNLESS OTHERWISE SPECIFIED:

DIMENSIONS ARE IN INCHES
 TOLERANCES:
 FRACTIONAL $\pm 1/32$
 ANGULAR: $\pm 2^\circ$
 TWO PLACE DECIMAL ± 0.010
 THREE PLACE DECIMAL ± 0.005

INTERPRET GEOMETRIC
 TOLERANCING PER:
 ASME Y14.5 -2009

	NAME	DATE
DRAWN		
CHECKED		

TITLE:
MX-SS-21S

WEIGHT:	NO SCALE	SHEET 2 OF 9
SIZE A	PART NO. ASSEMBLY	REV 0